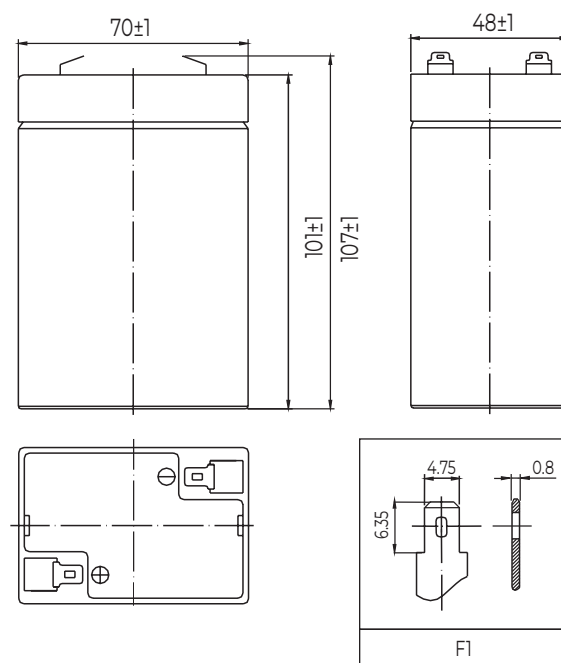


CHARACTERISTICS

General Purpose Series

Nominal voltage		6V (3 cells per unit)
Nominal capacity at 20 hours rate/5.25V (25°C)		5Ah
Capacity (25°C)	10 Hours rate/5.25V	4.7Ah
	5 Hours rate/5.25V	4.3Ah
Terminal type		F1
Torque		N/A
Approx. internal resistance (25°C)		15.0mΩ
Dimensions	Length	70±1mm
	Width	48±1mm
	Height	101±1mm
	Total height	107±1mm
Design Life (stand-by)	JIS at 25°C	5 years
	Eurobat at 20°C	3-5 years
Weight		0.84kg ±5%
Nominal operating temperature		25±3°C
Operating temperature range	Discharge	-15°C~50°C
	Charge	-10°C~50°C
	Storage	-20°C~50°C
Float charging voltage at 25°C		6.80V~6.90V
Cyclic charging voltage at 25°C		7.25V~7.50V
Temperature compensation	Float charge	-9 mV/°C/Block
	Cycle charge	-15 mV/°C/Block
Max. charging current (A)		1.5A
Max. discharge current for 5 seconds		75A
Self discharge rate (25°C)		≤3%/month
Battery container ABS UL94-HB		V-0 optional

DIMENSIONS & TERMINAL TYPE (MM)



CERTIFICATION & COMPLIANCES



Compliant to: EUROBAT, RoHS, WEEE's and Reach.
Manufactured according to IEC 60896-21 / 22

CONSTRUCTION

Component	Positive Plate	Negative plate	Container	Separator	Electrolyte	Safety valve	Terminal
Raw material	Lead dioxide	Lead	ABS (V-0 opt.)	AGM	Sulfuric Acid	Rubber	Copper

CONSTANT CURRENT DISCHARGE CHARACTERISTICS AT 25°C

(Ampere/battery)

F.V/Time	5min	10min	15min	30min	60min	2hr	3hr	4hr	5hr	10hr	20hr
4.80V	19.1	12.1	9.45	5.33	3.28	1.79	1.24	1.03	0.87	0.47	0.25
4.95V	18.5	11.7	9.22	5.22	3.23	1.78	1.23	1.02	0.87	0.47	0.25
5.10V	17.8	11.3	8.88	5.06	3.14	1.77	1.22	1.01	0.86	0.47	0.25
5.25V	17.0	10.8	8.58	4.94	3.08	1.74	1.22	1.01	0.86	0.47	0.25
5.40V	16.0	10.2	8.13	4.76	2.99	1.69	1.18	0.97	0.83	0.46	0.25

CONSTANT POWER DISCHARGE CHARACTERISTICS AT 25°C

(Watts/battery)

F.V/Time	5min	10min	15min	30min	60min	2hr	3hr	4hr	5hr	10hr	20hr
4.80V	107	68.2	53.9	30.5	19.0	10.5	7.36	6.10	5.21	2.84	1.52
4.95V	103	66.2	52.5	29.9	18.7	10.4	7.32	6.07	5.18	2.83	1.52
5.10V	99.1	63.5	50.5	29.0	18.2	10.3	7.27	6.03	5.14	2.82	1.51
5.25V	94.9	60.7	48.9	28.3	17.8	10.2	7.22	5.98	5.10	2.80	1.50
5.40V	89.5	57.5	46.3	27.2	17.3	9.91	7.00	5.81	4.95	2.74	1.47

The above characteristics represent average values and can be obtained within three charge and discharge cycles. The batteries must be fully charged before testing. The data in this document is subject to change without notice and become contractual only after written confirmation. Please contact Avacom for the latest available version.